



In-Wall Relay Switch

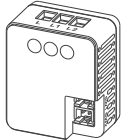
Smart Switch Sub-Assembly Instruction Manual

Rev. A-032021

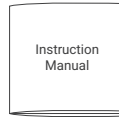
P/N SS01

**Please see separate Smart Relay manual for complete instructions. The Smart Switch Sub-Assembly is an accessory part of In-Wall Relay Switch and only functional when connected with the Smart Relay.*

Complete Accessories Include



Smart Switch ×1



Instruction Manual ×1



Panel Connector Wire ×2

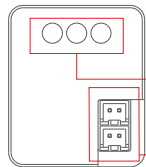
Product Introduction

Smart Switch Sub-Assembly is an optional component of the **In-Wall Relay Switch** when they are used together. The **Smart Switch Sub-Assembly** is designed to allow mechanical switch panels to work with switch commands from the network. For example, after turning off the lights with a mechanical switch panel, you can turn on the lights through network commands.

One **Smart Relay** can be connected to one or a series **Smart Switch Sub-Assembly** (multiple point control).

One **Smart Switch Sub-Assembly** can be connected to two circuits of loads, each of which must use one **Smart Relay**.

TECHNICAL SPECIFICATIONS	
Model number	SS01
Input Voltage	AC 85V~245V
Max. Load Power	AC 110V/300W AC 220V/600W
Min. Load Power	No limit
Supported Switch Type	Toggle, Momentary
Operating Temperature	0~40°C (32°~104°F)
Relative Humidity	5~85% RH
Product Size (L*W*H)	33.5mm * 28.2mm * 17.3mm (1.32in. x 1.11in. x 0.68in.)



NOTE: • 'SW1' controls the 'L1'
• 'SW2' controls the 'L2'

Fastening screws

← SW1: External switch control for load

← SW2: External switch control for load

Panel Connection port



L : Power input for live wire

L1: Power output for live wire

L2: Power output for live wire

Wire Connection port

Installation Instructions

Caution: Read this manual before attempting to install the device! Using this product in a manner other than intended voids your warranty. Further, Evvr is NOT liable for any damage incurred with the misuse of this product.

Caution: All installations of this device should be performed by a qualified or licensed electrician!

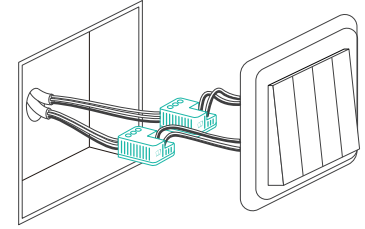
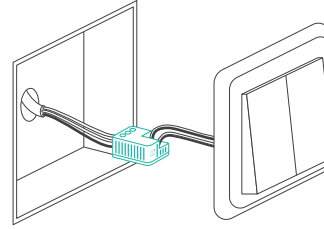
Caution: Product must be installed on a 10A line.



Warning: Turn OFF electrical power from the breaker box or electrical service panel before installing or servicing this product. Improper use or installation can cause SERIOUS INJURY, DEATH, or LOSS/DAMAGE OF PROPERTY.

Caution: Use this product in an indoor environment.

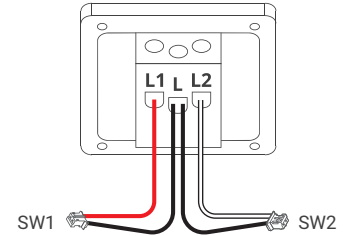
1 Connect the wires to the switch panel



With **Smart Switch Sub-Assembly** you can control **Smart Relay** using traditional switch panel.

Smart Switch Sub-Assembly compatible with 1/2 gang switch panel, and two **Smart Switch Sub-Assemblies** can be installed to support 3/4 gang switch panel.

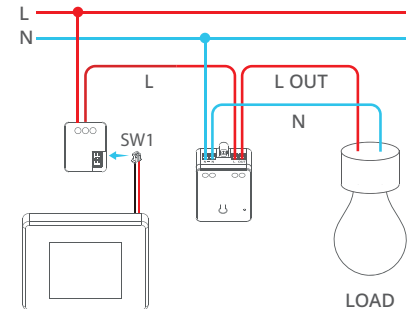
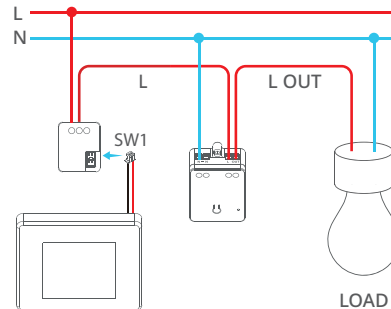
The diagram to the right shows the connection of wires.



2 Overall Diagram

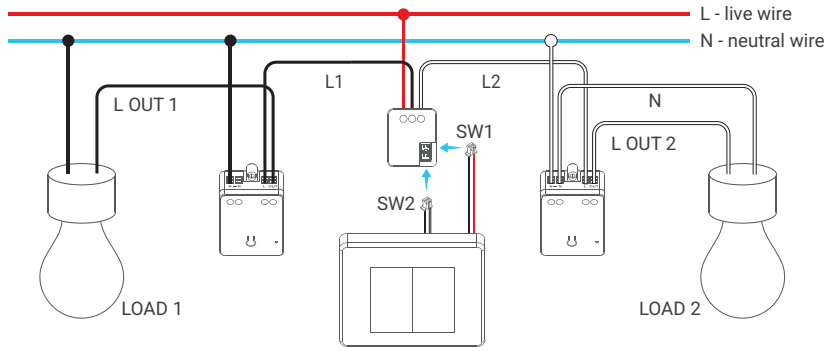
If the **Smart Switch Sub-Assembly** and **Smart Relay** are connected correctly, it should look like diagram below. For more instructions on how to install the **Smart Relay**, please see the **Smart Relay Manual**.

Wiring a Single Light Switch



In a **single switch** environment, please choose one of the installation methods to install on the **L1** line according to your actual installation environment.

Wiring a Double Light Switch



LOAD 1 (Black) and LOAD2 (White) are installed using two different connection methods. Please choose the appropriate installation method according to your actual installation environment.

3 Fix Smart Switch Sub-Assembly on a flat, cleaned surface

Caution: Before proceeding with this step, please ensure that wires are connected correctly and the devices are operational.

Peel off the paper from the adhesive and affix the **Smart Switch Sub-Assembly** to the recommended location on the box.

Turn ON electrical power and check if the light can be turned on.



Operating Instructions

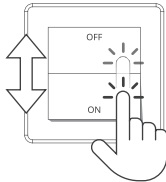
Note: All operations require a 5-second wait after the Smart Relay power up before use.

Set the Smart Relay into inclusion/pairing mode with Smart Switch Sub-Assembly

Note: The Smart Relay will leave the current network.

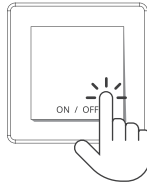
Working with toggle switch button

Quickly toggle the switch button **10 times**.



Working with momentary switch button

Quickly click the switch button **5 times**.



The device will leave the current network and re-enter pairing mode. At the same time the indicator light will slowly flash blue and wait until pairing is successful or timeout.

Troubleshooting

Q1 Cannot switch lights on and off normally.

The 'panel connect wire' from panel to **Smart Switch sub- assembly** is not properly connected or the wiring of the panel is not correct.

1. Check whether the **Smart Relay** blue/red LED is on when the load light is on. If the blue/red LED is not on, it may be that the 'live IN wire' and 'live OUT wire' of the main's power line are not connected properly.
2. If the **Smart Relay** blue/red LED is on, check whether the panel terminal is properly connected.
3. Please refer to the installation instructions section to check for proper wiring.
4. If only one load is connected to the **Smart Switch sub- assembly**, please check whether the 'power output for live' of the **Smart Switch sub-assembly** is connected to 'L1'.
5. Mechanical switch panel type identification error (Please refer to "4 Set the type of switch panel").

Q2 The light turns off automatically after a short period of time (approximately 2½ minutes or 150 seconds).

The power of the light may exceed the maximum power (AC 110V/ 300W, AC 220V/600W). Please check whether the power of the light exceeds the maximum power.

Q3 After controlling the light wirelessly, the state of the mechanical switch panel may be different from the actual state of the light.

You need to operate the mechanical switch panel twice to restore the light and the panel to the same state.

Disposal Instructions

This product must not be disposed of with your other household waste. Instead, it is your responsibility to dispose of your waste equipment by handing it over to a designated collection point for the recycling of waste electrical and electronic equipment. The separate collection and recycling of your waste equipment at the time of disposal will help to conserve natural resources and ensure that it is recycled in a manner that protects human health and the environment. For more information about where you can drop off your waste equipment for recycling, please contact your local city office, your household waste disposal service or the shop where you purchased the product.

Certifications (regional)



Warranty Policy

For warranty information, please visit <https://www.evvr.io/warranty>

EVVR

Please contact us for any technical issue
support@evvr.io